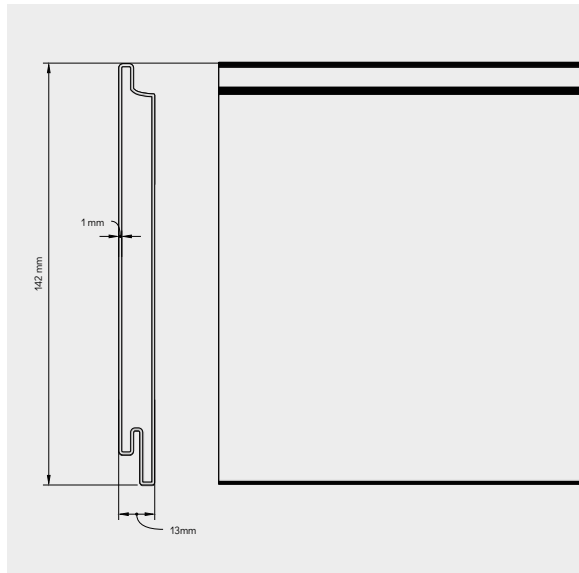


Forma panel cladding is a long lasting, low maintenance alternative to timber that can be used on various exterior projects; from home renovations to new build apartments, sunrooms or contemporary garden rooms. This stunning material from the capped Forma® range looks as impressive as natural wood cladding with no need to paint, stain or oil. Forma cladding products come with a 25 year warranty. This cladding can be installed in both vertical and horizontal orientations.



Panel Cladding	
Length (mm)	3600
Width (mm)	142 (132 installed width)
Depth (mm)	13
Weight (p/lm)	2.22kg
Material	2nd Generation co-extruded WPC
Finish	Brushed finish



Midnight

Argent

Flint

Silver Birch

Natural Oak

Spiced Oak

Havana



Length

3.6m

ECO3600MD

ECO3600AG

ECO3600FL

ECO3600SB

ECO3600NO

ECO3600SO

ECO3600HA

Forma Decking Benefits

Ecoscape UK Forma composite products have all the benefits of Clarity, with the additional benefits afforded by the HDPE capping. This results in a composite product that is more hardwearing, stain-resistant, and resistant to colour fading. We are so confident in the quality of our board that we offer an industry-leading 25 year warranty.

Sustainable Choice

Ecoscape UK Wood Plastic Composite products are made from recycled plastic and wood fibre. Choosing Ecoscape UK ensures this waste material is diverted from landfill, and given a second life.

Great Composite Benefits

Not only easy to install, with our hidden clip system, Ecoscape UK composite cladding is practical: with low maintenance, and with our 25 year warranty, will be sure to look good for years to come.

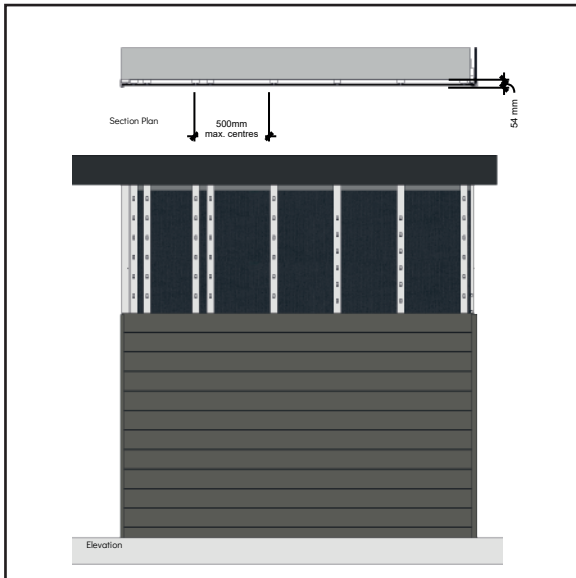
UV Stable with Colour Fade Warranty

Like all our Forma products, Ecoscape UK Panel Cladding is fade resistant. Although not entirely fade proof, our cladding has been extensively tested - including artificial weathering test - and we offer a warranty against any fading due to light exposure and weathering in excess of 'ΔE=5' on the Hunter scale.

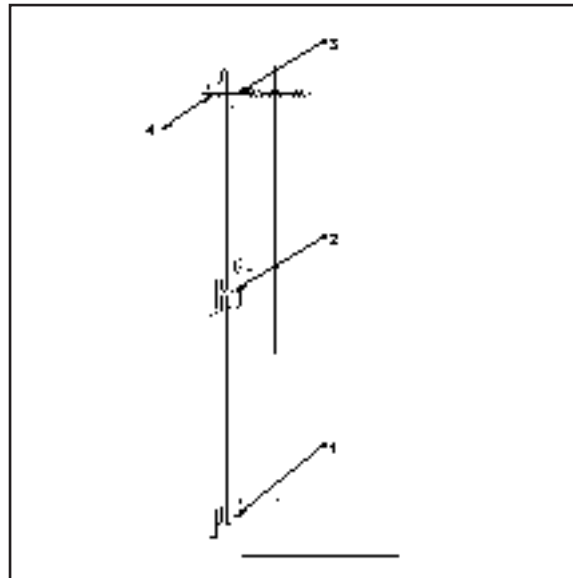
The example above shows the 'Havana' colour Forma product before, and after accelerated testing.

Working Specification - Decking Systems

Drawings below show a typical substructure detail for Ecoscape UK Composite decking (shown here with Ecoscape UK Plastic Joist Substructure).

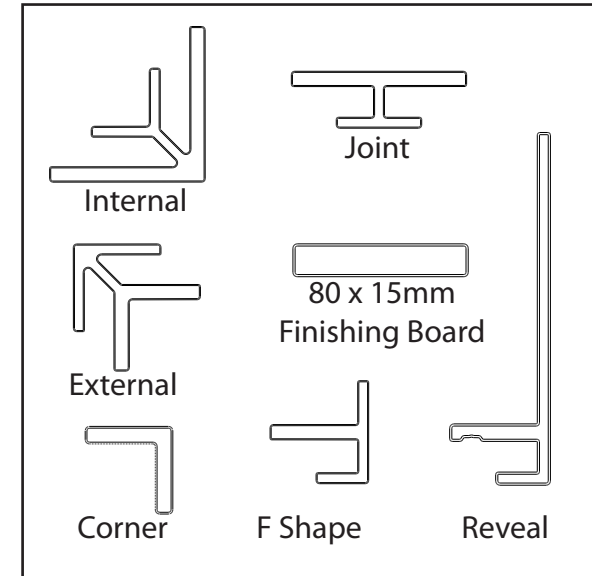


Ecoscape UK Composite cladding boards must be supported by a substructure placed at 500mm centres. For further information, please see Ecoscape Cladding Installation Guide at www.ecoscape.co.uk



Ecoscape UK cladding should always be used with Ecoscape UK aluminium hidden clips system:

1. Starter Bar
2. Cladding Clip
3. Plastic Pad
4. Colour-coded screw



Our extensive range of trim profiles - including an end trim, external and internal corners, and a versatile finishing board - to ensure that you always get a neat finish for your project.

Specification Table

Property	Test Method	Test Result	Test Requirements	Verdict
Appearance	EN 15534-1:2014 Section 6.1 EN 15534-4:2014 Section 4.3	None of visible difference which was compared to control sample.		Pass
Linear Mass	EN 15534-1:2014 Section 6.5 EN 15534-4:2014 Section 4.4	Mean: 1951 g/m	Individual values ≥ 95% declared value by the manufacturer.	N/A
Dimensions	EN 15534-1:2014 Section 6.6 EN 15534-4:2014 Section 4.4	Average Width: 141.30mm Average thickness: 13.20 mm Average Length: 1000mm Average deviation from straightness: 0.33mm Average cupping: 0.22mm	Individual values	N/A
Falling mass impact resistance	EN 15534-1:2014 Annex A EN 15534-4:2014 Section 4.5.1	Max. Crack length (mm): No crack Max. Residual Indentation (mm): 0.09	None of 10 test specimens shall show a failure with a crack length ≥ 10 mm or a depth of residual indentation ≥ 0.5 mm.	Pass
Flexural properties	EN 15534-1:2014 Annex A EN 15534-4:2014 Section 4.5.2 Specified span: 300mm Testing Speed: 18.5mm	Ave. Bending Strength: 31.9 MPa Modulus of Elasticity in bending: 3993 MPa Deflection at 250 N: Mean: 1.93 mm Max. 2.02 mm	-Deflection under a load of 250 N Mean ≤ 5.0 mm	Pass
Creep behaviour	EN 15534-1:2014 Section 7.4.1 EN 15534-4:2014 Section 4.5.3	Span: 400 mm Mean ΔS: 2.97 mm Max. ΔS: 3.03 mm Mean ΔSr: 1.81 mm	Known span in use Mean ΔS ≤ 10 mm Max. ΔS ≤ 13 mm Mean ΔSr ≤ 5 mm	Pass
Resistance to artificial weathering	EN 15534-1:2014 Section 8.1 EN 15534-4:2014 Section 4.5.5 ISO 4892-2: 2013, cycle 1	After 2000h exposure: ΔL* = -1.45, Δa* = 0.38, Δb* = 0.57 ΔE* = 1.60 Grey scale = 4	ΔL*, Δa* and Δb* shall be declared	N/A
Swelling and water absorption (28 days immersion)	EN 15534-1:2014 Section 8.3.1 EN 15534-4:2014 Section 4.5.5	Mean Swelling: 0.41% in thickness ; 0.36% in width; 0.23% length Max. Swelling: 0.60% in thickness; 0.43% in width; 0.29% in length Water Absorption Mean: 2.71% Max.: 2.91%	Mean Swelling: ≤4% in thickness ; ≤0.8% in width; ≤0.4% length Max. Swelling: ≤5% in thickness; ≤1.2% in width; ≤0.4% in length Water Absorption Mean: ≤7% Max.: ≤9%	Pass
Fungi Resistance Test	ISO 16869: 2008	Rating 1: The material is partially protected against fungal attack or generally not susceptible to such attack	Test conditions: 21 days, Humidity>85%RH, Temperature: 25°C	

Property	Test Method	Test Result	Test Requirements	Verdict
Moisture resistance under cyclic test conditions	EN 15534-1:2014 Section 8.3.2 EN 15534-4:2014 Section 4.5.5	Original MOR: 31.9 MPa After exposure, Mean MOR: 29.6MPa Deflection at 250N: Mean: 1.96 mm Max: 2.02 mm	Deflection under load at 250N Mean ≤ 6.0mm (Test span was at 500mm)	Pass
Boiling Test	EN 15534-1:2014 Section 8.3.3 EN 15534-4:2014 Section 4.5.5	Water absorption in weight: Mean: 1.57 % Max: 1.77 %	Water Absorption in weight: Mean ≤ 7 % Max. ≤ 9 %	Pass
Linear thermal expansion coefficient	EN 15534-1:2014 Section 9.2 EN 15534-4:2014 Section 4.5.6 ISO 11359-2:1999	Mean: Longitudinal direction: 46.0 ×10-6 K-1	≤ 50×10-6 K-1	N/A
Heat Reversion	EN 15534-1:2014 Section 9.3 EN 15534-4:2014 Section 4.5.7 EN 479:2018	Test Temperature: 100°C Mean: 0.07 %		
Heat build-up	EN 15534-1:2014 Section 9.4 EN 15534-4:2014 Section 4.5.7	Set temperature rise for use in horizontal position: 41 °C Actual temperature rise for black control specimen: 41.7 °C	Test condition: ambient air temperature 23 ± 2 °C	
Resistance to indentation	EN 15534-1:2014 Section 7.5 EN 15534-4:2014 Section 4.5.7	Brinell hardness: 69 MPa Rate of elastic recovery: 53 %	Indenter: a hardened steel spherical body with diameter of 10 mm Test load: Additional load of 2000N with preload of 20N Indentation time: (25 ± 5) s Recovery time: at least 24h	
Neutral salt spray test	EN 15534-1:2014 Section 8.6 ISO 9227:2017 EN 15534-4:2014 Section 4.5.7	After 300h exposure: ΔL* = -0.94, Δa* = 0.70, Δb* = 0.19 ΔE* = 1.2 Grey scale = 4-5	300 hours exposure time	
Fire Resistance		Standard Option		For more information, please contact Ecoscape specifications team
	EN 13501-1:2018	Classification: D-s1, d0		
Screw withdrawal	EN 15534-1:2014 Section 7.6 EN 13446:2002 EN 15534-5:2014 Section 4.5.6	Withdrawal capacity: 27.5 N/mm ²		
Pull through resistance	EN 15534-1:2014 Section 7.7 EN 1383:2016 EN 15534-5:2014 Section 4.5.6	Pull through parameter: 16.6 N/mm ²	Test screw of 7.5mm diameter head was used	